

---

---

# MOLD TECHNOLOGY S.R.L.

High precision mechanical machining

---

# About Mold Technology

We are specialized in high precision mechanical machining and we provide design services and manufacturing services for custom parts, spare parts, components and assemblies. The components and assemblies crafted by our team are used for technological lines in automotive industry, food industry, detergent industry, and other industries.

**Mold Technology S.R.L.**

*str. E Racoviță, nr. 4,*

*Cugir*

---

**Alin Marcu**

*(004)0724589824*

*marketing@mold-technology.com*



# Products

**Mold Technology** produces a wide range of products from metal and plastic materials

- **Custom parts**  
Parts manufactured based on a model, a sample or a reference.
- **Components**  
Components made on request based on customer documentation.
- **Assemblies**  
Assemblies and components designed in collaboration with the customer.

# From idea to finished product!

## Documentation

Technical documentation, sketch, model, sample or idea

Idea

Project

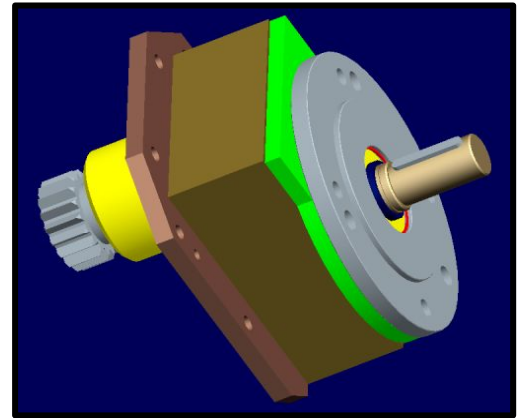
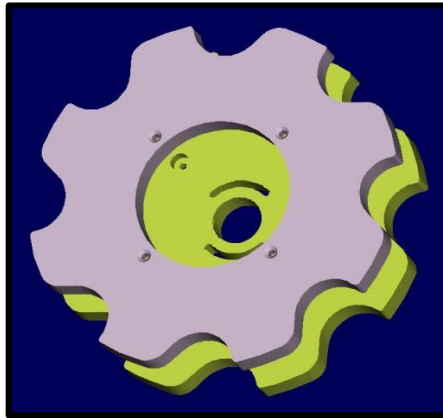
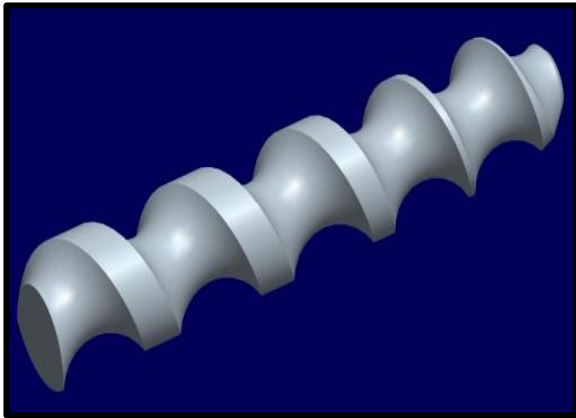
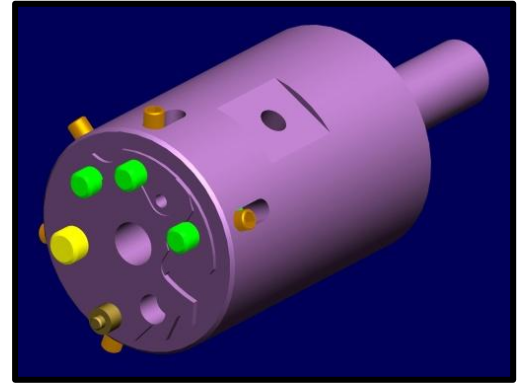
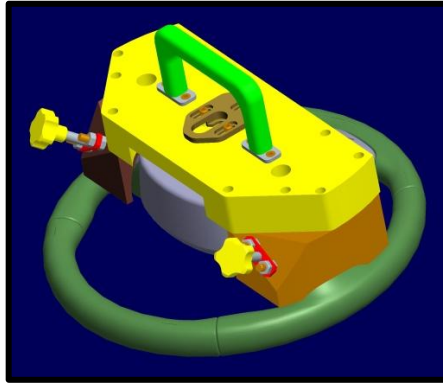
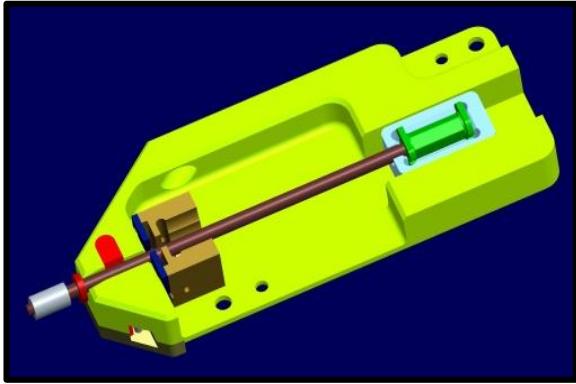
Product

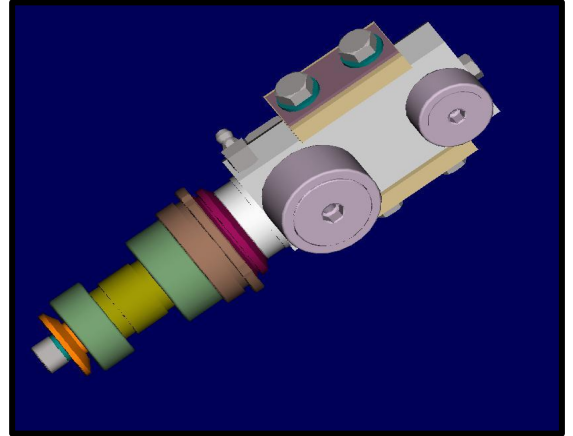
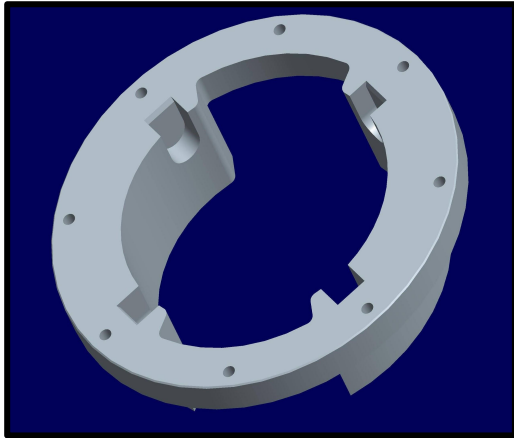
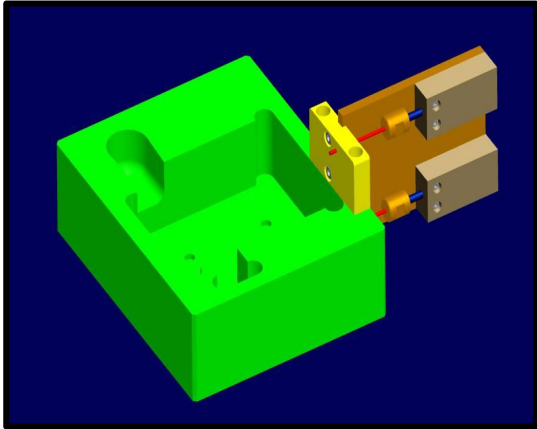
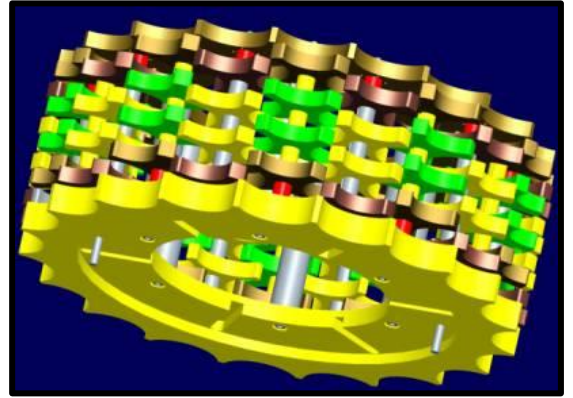
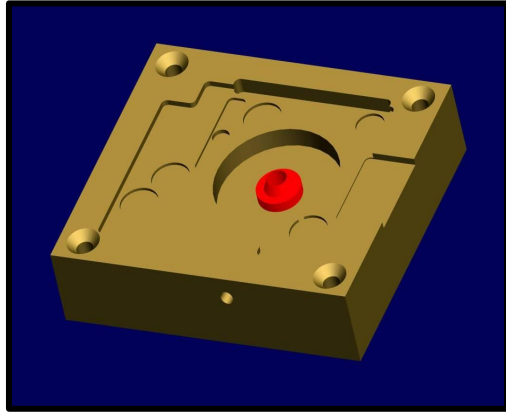
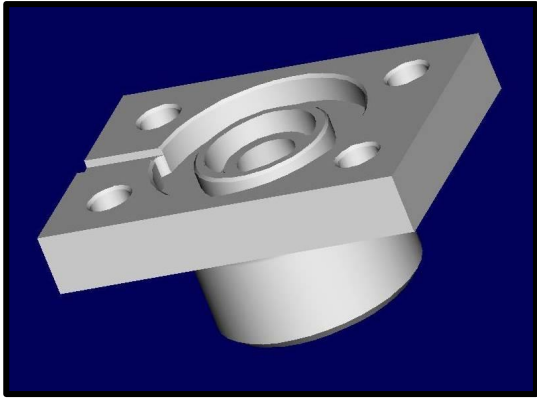
## Crafting

Manufacturing, assembly and final control

## Design

Product design. Preparation of technical documentation for manufacturing







# Services

**Mold Technology** provides high precision manufacturing and assembling services.

- **Cutting**
- **CNC Milling**
- **CNC Turning**
- **CNC EDM**
- **Grinding**
- **Assembly**

# Why Mold Technology?

**High quality products and services.**

**Precision in product manufacture.**

**Promptness and short delivery times.**



—

# Contact us!

## MOLD TECHNOLOGY, a trusted partner.

[www.mold-technology.com](http://www.mold-technology.com)

**Mold Technology S.R.L.**

*str. Emil Racoviță, nr. 4,*

*Cugir*

---

**Alin Marcu**

*(004)0724589824*

*marketing@mold-technology.com*